

DEUTERIUM LAMP POWER SUPPLY D2PS2.5V

SPECIFICATIONS

Input Voltage: AC 85 -265V
Input Current: Max. 0.5A
Filament voltage: Preheating: DC2.5V
 Lit: 0V
Anode Voltage: Preheating : DC 115V
 Lit: Max: DC 80V

Anode Current: 300mA

Constant current Accuracy: 0.05% (after start 10min)

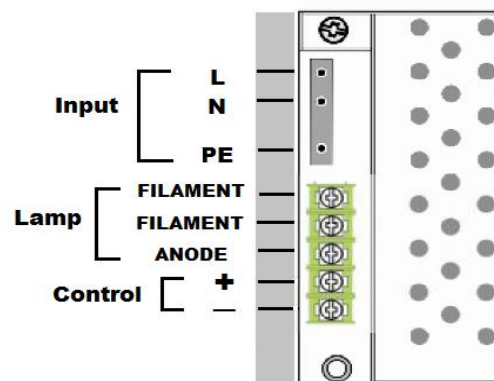
Ignition Voltage: DC 400V
Dielectric strength: AC 1500V / 1min
Shutting Down Signal: 3 -12V / 1 mA
Operating Temperature: 0-40⁰ C

Size: 130 x 100 x 40 mm

Weight: 0.4kg

Note:

This power supply must be used with 2.5 volt Deuterium Arc Lamp



Handling Precautions

- High voltages are present. Caution is required to prevent electrical shock.

Warranty

Power Supply is warranted for a period of one year. If power supply is found to be defective, SpectroLamps will repair or replace the defective power supply without charge. Replacement is subject to be returned to supplier freight paid. Power Supply has been operated within our recommended specifications, has not been misused or damaged in transit, has not failed due to accident or modified in any way. Replacement warranty validity will commence from date of original.